

# TECH·TALK

Compliments of Nexstar and MultiLogic's Customer Support Team

November, 2011

## T12 Lamps – banned as of June 30, 2012

In April 2005, ballast efficacy standards mandated by the U.S. Department of Energy (DOE) went into effect. Within these standards, virtually all T12 lamps will be banned by **June 30, 2012**.

The Canadian standards for fluorescent lamp ballasts are similar to the existing U.S. standards.

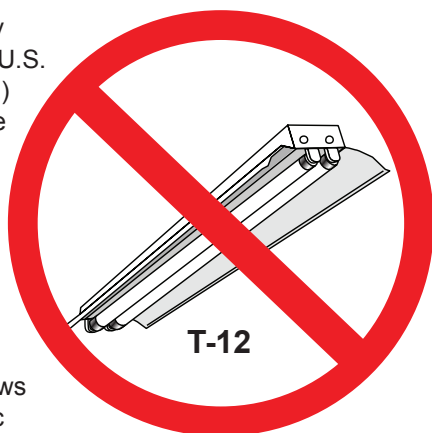
This standard officially outlaws the manufacture of magnetic ballasts for standard T12 40-watt and 34-watt, 4-foot fluorescent Rapid Start lamps, 60-watt and 75-watt 8-foot fluorescent lamps, and 110-watt, 8-foot fluorescent High Output lamps used in new fixtures.

The OEM community was the first to feel the impact in 2005, with distributors retaining the right to sell replacement products until 2010. On July 1st, 2010, however, manufacturers were required to terminate production of these products for the replacement market as well.

According to estimates by the Lighting Efficiency Coalition, the nation's upgrade from magnetic T12 to electronic T12 ballasts alone would reduce annual electricity demand by 25 billion kilowatt hours, avoid the need for 3.3 nuclear power plants, prevent the emission of 17.5 million tons of carbon dioxide into the environment, and save users \$2 billion on their energy bills each year.

### The Smart Investment

For a quick return on your investment, replacing T12 lamps and ballasts with high efficiency electronic ballasts and T8 lamps is the smart choice. In many cases, this is the easiest upgrade since the T8 lamps and ballasts fit into the same fixture. Lighting retrofits can provide energy savings greater than 40% while improving the quality of the lighting. These quality improvements include quiet operation, improved color rendering, and a reduction in HVAC costs due to less heat being generated by the lighting system.



### Example:

#### Existing System:

- Lamp F34T12 Lamps and magnetic ballast
- Power consumption: 148 Watts

#### Replacement System:

- 4-Lamp F32T8 Lamp with High Efficiency ballast
- Power consumption: 96 Watts – 52 Watt savings (35% reduction)
- Light Level: Increase by 3% to 12% depending on lamp used

#### Alternate Retrofit Options:

- 4-Lamp F28T8 Energy Saving Lamp with High Efficiency ballast
- Power consumption: 84 Watts – 64 Watt savings (43% reduction)
- Light Level: Decreases by 3% - Improved color quality may provide better perceived lighting.

### Energy Savings Equals Dollars

Based upon the annual operating hours and utility rate, the energy savings can be used to calculate the operating cost savings:

- Annual Operating Hours ..... 4,000
- Utility rate (\$/Kwh)..... x \$0.12
- Energy Savings per fixture (Watts) ..... x 64
- Conversion from W to KW..... ÷ 1,000
- **Annual Cost savings per fixture ..... \$30.72**

### The Time Is Now - Government Incentives

Once the T12 ban is officially mandated, we have to ask ourselves; what will become of the financial incentives currently being offered. What will the motivation be to offer an incentive once consumers no longer have a choice?

The time to act is now. The current incentive available from the Save-ON-Energy program provides a generous contribution for T12 retrofits. Call us today to lock-in your incentive and begin saving 40% or more on your lighting costs!

**Call Toll Free: 1-866-291-1266**

**NEXSTAR**  
LIGHTING

[www.nexstarlighting.com](http://www.nexstarlighting.com)



**Turn on the Savings!**

**MultiLogic**  
ENERGY SOLUTIONS INC.

[www.multilogicenergy.com](http://www.multilogicenergy.com)